

10 9 8 7 6 5 4 3 2 1

F

E

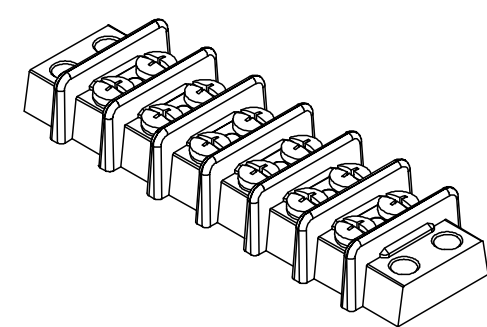
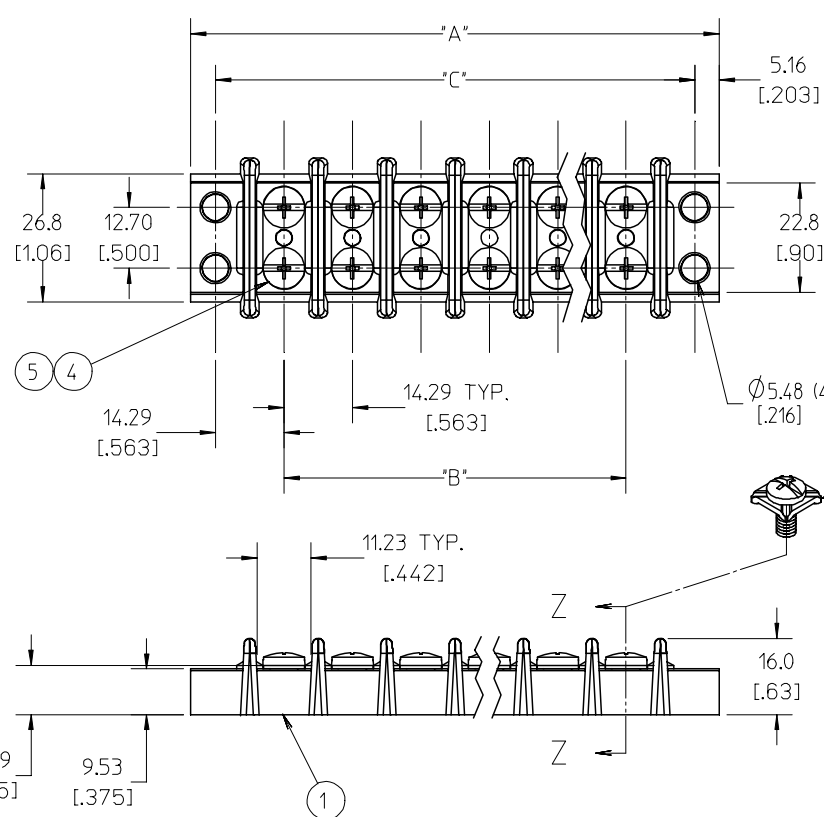
D

C

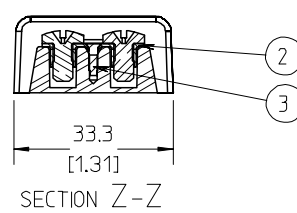
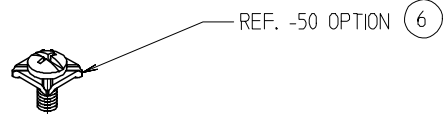
B

A

1b\_frame\_B\_P\_ME\_T  
Rev. D 2004/04/02



6 CIRCUIT SHOWN



- NOTES:
1. MATERIAL: SEE TABLE
  2. FINISHES: SEE TABLE
  3. PRODUCT SPECIFICATION: NOT REQUIRED
  4. PACKAGING: NOT REQUIRED
  5. MATES WITH: N/A
  6. 'XX' REFERS TO THE QUANTITY OF CIRCUITS.

6	XX*2	SCREW&WASHER, #8-32, PAN HD, PH-SL (-50 OPT)	STEEL	ZN, CLEAR CHROMATE
5	XX*2	SCREW, #8-32, BIND HEAD, PHIL-SLOT (-49 OPT)	BRASS	NICKEL PLATE
4	XX*2	SCREW, #8-32, BIND HEAD, PHIL-SLOT (STD.)	STEEL	ZN, CLEAR CHROMATE
3	XX	SCREW, U-DRIVE, #0	STEEL	ZN, CLEAR CHROMATE
2	XX	TERMINAL, DOUBLE EYELET	BRASS	NICKEL PLATE
1	1	INSULATOR, DOUBLE ROW	PHENOLIC	BLACK
ITEM	QTY.	DESCRIPTION	MATERIAL	FINISH

RELEASED	EC NO: ETC2006-0251
DRWN:CYORK	2006/02/17
CHKD:RDEROSS	2006/02/21
APPR:RDEROSS	2006/02/21
REV	DESCRIPTION
A	

QUALITY SYMBOLS	▽=0
	▽=0
	4 PLACES ± --- ±.0002
	3 PLACES ±0.038 ±.005
	2 PLACES ±0.13 ±.01
1 PLACE ±0.25 ± ---	
ANGULAR ± 2 °	
DRAFT WHERE APPLICABLE MUST REMAIN WITHIN DIMENSIONS	

GENERAL TOLERANCES (UNLESS SPECIFIED)	
mm	INCH
DRAWN BY	DATE
C. YORK	2006/02/13
CHECKED BY	DATE
R. DEROSS	2006/02/13
APPROVED BY	DATE
R. DEROSS	2006/02/13
MATERIAL NO.	
SEE SHEET 2	
SIZE	B

DIMENSION STYLE	MM/IN
SCALE	1:1
DESIGN UNITS	INCH
THIRD ANGLE PROJECTION	
TITLE	
14.29 [0.563] DR BTS ASSY, CB	
MATERIAL NO.	
SD-38211-001	
DOCUMENT NO.	
MOLEX INCORPORATED	
SHEET NO.	
1 OF 2	
THIS DRAWING CONTAINS INFORMATION THAT IS PROPRIETARY TO MOLEX INCORPORATED AND SHOULD NOT BE USED WITHOUT WRITTEN PERMISSION	

9 8 7 6 5 4 3 2 1

NO OF CIRC.	DIM. A		DIM. B		DIM. C		ASSEMBLY MATERIAL NO. (-CB)	ASSEMBLY MATERIAL NO. (-CB-49)	ASSEMBLY MATERIAL NO. (-CB-50)
	mm	in	mm	in	mm	in			
02	53.2	2.09	14.29	0.563	42.86	1.688	382110102	382110202	382110302
03	67.5	2.66	28.58	1.125	57.15	2.250	382110103	382110203	382110303
04	81.7	3.22	42.86	1.688	71.44	2.813	382110104	382110204	382110304
05	96.0	3.78	57.15	2.250	85.73	3.375	382110105	382110205	382110305
06	110.3	4.34	71.44	2.813	100.01	3.938	382110106	382110206	382110306
07	124.6	4.91	85.73	3.375	114.30	4.500	382110107	382110207	382110307
08	138.9	5.47	100.01	3.938	128.59	5.063	382110108	382110208	382110308
09	153.2	6.03	114.30	4.500	142.88	5.625	382110109	382110209	382110309
10	167.5	6.59	128.59	5.063	157.16	6.188	382110110	382110210	382110310
11	181.8	7.16	142.88	5.625	171.45	6.750	382110111	382110211	382110311
12	196.0	7.72	157.16	6.188	185.74	7.313	382110112	382110212	382110312
13	210.3	8.28	171.45	6.750	200.03	7.875	382110113	382110213	382110313
14	224.6	8.84	185.74	7.313	214.31	8.438	382110114	382110214	382110314
15	238.9	9.41	200.03	7.875	228.60	9.000	382110115	382110215	382110315
16	253.2	9.97	214.31	8.438	242.89	9.563	382110116	382110216	382110316
17	267.5	10.53	228.60	9.000	257.18	10.125	382110117	382110217	382110317
18	281.8	11.09	242.89	9.563	271.46	10.688	382110118	382110218	382110318
19	296.1	11.66	257.18	10.125	285.75	11.250	382110119	382110219	382110319
20	310.3	12.22	271.46	10.688	300.04	11.813	382110120	382110220	382110320
21	324.6	12.78	285.75	11.250	314.33	12.375	382110121	382110221	382110321
22	338.9	13.34	300.04	11.813	328.61	12.938	382110122	382110222	382110322
23	353.2	13.91	314.33	12.375	342.90	13.500	382110123	382110223	382110323
24	367.5	14.47	328.61	12.938	357.19	14.063	382110124	382110224	382110324
25	381.8	15.03	342.90	13.500	371.48	14.625	382110125	382110225	382110325
26	396.1	15.59	357.19	14.063	385.76	15.188	382110126	382110226	382110326

SEE SHEET 1 EC NO: ETC2006-0251 DRWN: CYORK 2006/02/17 CHKD: RDEROSS 2006/02/21 APPR: RDEROSS 2006/02/21	QUALITY SYMBOLS ▽=0 ▽=0	GENERAL TOLERANCES (UNLESS SPECIFIED)		DIMENSION STYLE MM/IN		SCALE 1:1	DESIGN UNITS INCH	THIRD ANGLE PROJECTION		
						DRAWN BY C. YORK		DATE 2006/02/13		TITLE 14.29 [.563] DR BTS ASSY, CB
						CHECKED BY R. DEROSS		DATE 2006/02/13		
						APPROVED BY R. DEROSS		DATE 2006/02/13		MOLEX INCORPORATED
		DRAFT WHERE APPLICABLE MUST REMAIN WITHIN DIMENSIONS		MATERIAL NO. SEE CHART		DOCUMENT NO. SD-38211-001		SHEET NO. 2 OF 2		
				SIZE B		THIS DRAWING CONTAINS INFORMATION THAT IS PROPRIETARY TO MOLEX INCORPORATED AND SHOULD NOT BE USED WITHOUT WRITTEN PERMISSION				